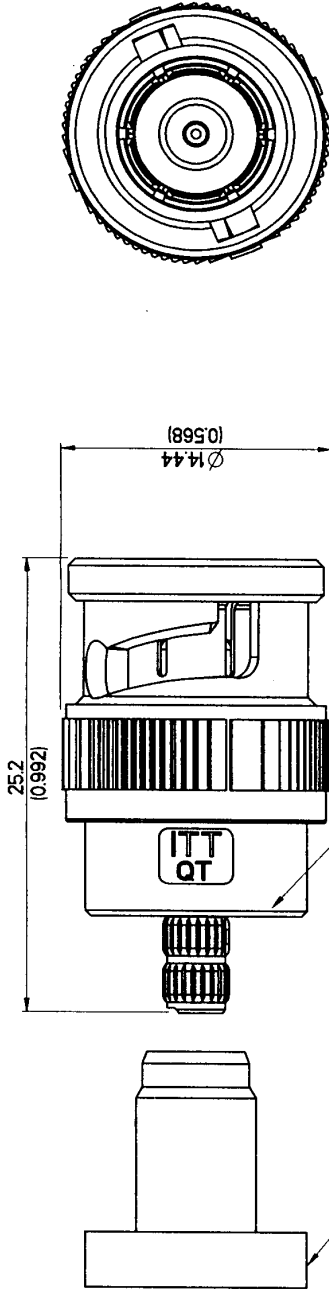


Telcordia Audited Connectors

PART NUMBER	CABLE DESCRIPTION	COMMENTS	CENTRE CONDUCTOR DIAMETER	CAP COLOUR IDENT	CRIMP HEX A/F	CRIMP BARREL O/D	CRIMP BARREL I/D
W58-124-9019910	AT&T 735A	REF KS23558	0.40±0.005 (0.0159"±.0002")	RED	0.178"	3.57mm (0.140")	2.57mm (0.101")
W58-124-9039910	MIT/29-RG59/U		0.57±.028 (0.0228"±.0002")	YELLOW	0.255"	5.69mm (0.224")	4.44mm (0.175")
W58-124-9069910	AT&T 734	REF KS23558	0.79±.008 (0.0313"±.0003")	BLUE	0.255"	5.69mm (0.224")	4.44mm (0.175")

ITT Cannon RF PRODUCTS Jays Cls. Viabes Estate Basinstoke, Herts RG22 4BW UK 585 East Main Street New Britain, Connecticut 06051, USA (PSCN No. 96291)		PDM: ... Pro/E Generic Model W58-124-9XX9 gen Title: OT-BNC 750 PLUG OUTLINE DRAWING RBOC's (TELCO's)	
Total Surface Area: ... mm ² Total Volume: ... mm ³		Scale: 4:1 Sheet 1 of 3	
DO NOT SCALE Date: 11 Feb 97 Checked: PJ Engineer: PJ Manufact: 19 NOV 97 Assembly: 25 June 97 Quality: 20 Feb 97 Approvals: Sign: 11 Feb 97		Material: SEE COMPONENT DRAWINGS Treatment: Dimensions in: MM AND INCHES Cust Spec No:	
3 K3E2 2 DRAWING MODIFIED DCN K3064 1 DRAWING RELEASE DCN K3039 A PROVISIONAL RELEASE DCN/ECN or Description		Date: 11 Feb 97 Date: 20 Feb 97 Date: 25 June 97 Date: 19 NOV 97	
This is issued in strict confidence on condition that it is not copied, reprinted or disclosed to a third party without the prior written consent of ITT Cannon. © Feb 97		Draw No. W58-124-9XX9XXX-1 Rev 3	



Telcordia Audited Connectors

PART NUMBER	CABLE TYPE	CENTRE CONDUCTOR	CAP COLOR	CRIMP HEX	CRIMP BARREL O/D	CRIMP BARREL I/D
W58-124-9029910	1505A	.805mm(.0317)	BLUE	0.255	5.69mm(.224)	4.44mm(.175)
W58-124-9039910	9104,5565,5572,VP6M2000	.813mm(.0320)	BLUE	0.255	5.69mm(.224)	4.44mm(.175)
	9209	.572mm(.0225)	YELLOW	0.255	5.69mm(.224)	4.44mm(.175)
	9209A	.554mm(.0218)	YELLOW	0.255	5.69mm(.224)	4.44mm(.175)
W58-124-9049910	8241A,5563,VJ59U,9204	.584mm(.0230)	YELLOW	0.255	5.69mm(.224)	4.44mm(.175)
	1694,1695,5765,2279	1.02mm(.040)	BLACK	0.300	6.20mm(.244)	5.20mm(.204)
	9114	1.026mm(.0404)	BLACK	0.300	6.20mm(.244)	5.20mm(.204)
W58-124-9079910	8281,8281B,9141	.787mm(.0310)	GREEN	0.309	6.20mm(.244)	5.20mm(.204)
	88281	.828mm(.0326)	GREEN	0.309	6.20mm(.244)	5.20mm(.204)
	7505,VP600Q,VP618PE01	.813mm(.0320)	GREEN	0.309	6.20mm(.244)	5.20mm(.204)
W58-124-9089910	BT3002	.3mm(.0122)	WHITE	0.178	3.57mm(.140)	2.57mm(.101)
W58-124-9119910	1694,1695,5765,2279	1.02mm(.040)	BLACK	0.300	6.20mm(.244)	5.20mm(.204)
	9114	1.026mm(.0404)	BLACK	0.300	6.20mm(.244)	5.20mm(.204)
W58-124-9129910	RG59 QUAD.	.61mm(.0240)	YELLOW	0.255	5.69mm(.224)	4.44mm(.175)
W58-124-9109910	F59-HEC-2	.813mm(.0320)	BLUE	.300	6.20mm(.244)	5.20mm(.204)
W58-124-9099910	S59-HEC-2	.572mm(.0225)	YELLOW	.300	6.20mm(.244)	5.20mm(.204)

DO NOT SCALE	Total Volume : $\delta\text{volume mm}^3$	Total Surface Area : mm^2	PDM: NEW PRODUCT FEASIBILITY 122:	A3/B
Drawn PJ 17-Nov-97	Material: SEE COMPONENT DRAWINGS	3rd ANGLE PROJECTION Surface Roughness	Jays Cluse, Vables Estate Basingstoke, Hants. RG22 4BW, UK	Proj/E Generic Model & generic model Title
Checked SS 12/12/07		Unless Specified Ref:	585 East Main Street New Britain, Connecticut 06051, USA	OT-BNC ASSEMBLY CUSTOMER DRAWING COMMERCIAL MARKET.
Engineer:			FSCM No. 9829J	
Manufact:				
Assembly:				
Quality:				
Approvals Sign:	Dimensions in: MM AND INCHES	Scale 4:1	Sheet 2 of 3	Drwg No. W58-124-9XX9XXX-1
Date:	17-Nov-97			3
This is issued in strict confidence on condition that it is not used as a basis for manufacture or sale and that it is not copied, reprinted or distributed to a third party without the prior written consent of ITT Cannon. © 17-Nov-97				